

Welcome to our 2008 newsletter. Here we go again with more tips and information to help you along your way with your woody projects, especially boxmaking. Also a few new products from Gifkins Dovetail. Hope you find it useful!

Keep up the dovetailing (and the finger joints!),
Roger & Jenny Gifkins

WINTER SPECIAL

June – July – August

any
TEMPLATE UPGRADE
\$160

SAVE \$23

TIMBER SHOWS for 2008

Once again we will be heading off to most of the **DMG TIMBER AND WORKING WITH WOOD SHOWS** in 2008.

The shows we will be at are as follows:

- Brisbane 16-18th May
RNAIA Showgrounds
- Sydney 13-15th June
Royal Hall of Industries, Fox Studios
- Canberra 5-7th September
Budawang Building, Exhibition Park
- Melbourne 24-26th October
Melbourne Showgrounds (note new venue)

We will also be heading over to the west again, a trip we especially look forward to, for the **WA WOOD SHOW** in Perth – dates for it are:

- Perth, Claremont Showgrounds 8-10th August

NEW PRODUCTS

We try to get out something new each year and this year is no exception!

SPECIAL JEWELLERY BOX PLANS # 3 \$29

These plans actually became available late last year and have proved very popular. It is also the project that Roger will be demonstrating at his boxmaking sessions at the timber shows this year.

It is an elaborate jewellery box with lift out tray and fittings. It could be either dovetailed or finger-jointed. It is a beautiful but also functional project, making an ideal gift for that special person... This project uses the 8 mm concealed hinges mentioned in the last newsletter, which are available from Hardware for Creative Finishes:

www.boxmakersbrassware.com.au

We now also have an accompanying DVD for this project:

BOXMAKING DVD #3 \$39

Roger's 3rd DVD, on the "Special Jewellery Box" project (above) covers all the joinery in superb detail. Recorded over 2 full days of Roger making the complete project, the DVD is condensed down to 2 hrs 20 min without losing any steps or techniques. Packed full of tips and hints, with voice-overs to reinforce safety and important points, this DVD makes an important addition to the written plans.

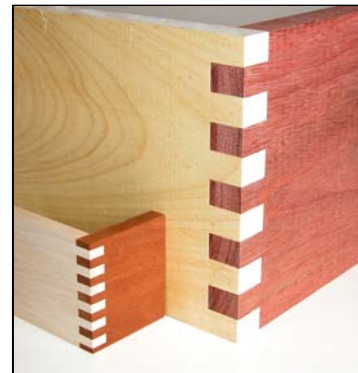
With the plans, DVD and both sets of boxmaking cutters you can complete this elaborate jewellery box, which is ideal as a special gift.



F15 FINGER JOINT TEMPLATE UPGRADE \$183

This year we have introduced another finger joint template upgrade, this time for the thicker timbers, from 14mm to 22mm. It cuts beautifully clean joints in any timber due to its specially made solid carbide spiral cutter. Ideal for blanket chests and furniture sized work.

Photo shows the F15 joint with the F5 joint for comparison.



F5 FINGER JOINT DEMONSTRATION DVD \$22

Since our last newsletter we now have a Demonstration DVD for the F5 Finger Joint. Definitely useful when getting started with this template upgrade. The DVD does not cover the F15 as this template wasn't released till after the DVD was filmed, however the cutting procedure for the F15 is very straight forward and the written instructions should be perfectly adequate.

BOXMAKING CUTTERS SET # 2 \$144

These are all off-the-shelf cutters, 3 router bits and 2 spur-point drill bits. All the cutters in set #1 and set #2 are used in the Special Jewellery box project (above), and these cutters

can be used time and again in all boxmaking work. The drill bits are used for making or fitting hinges. Any of the



boxmaking cutters can be purchased separately or in the sets.

AUSTRALIAN QUALITY TOOLS 2008

This year we have got together again with a group of Australian toolmakers and craftspeople to produce a colour catalogue of our products. We have revised the 2007 Catalogue to include all our new products etc. Toolmakers featured this year are : Colen Clenton, Peter Collins, Micheal Connor, Roger Gifkins, Terry Gordon, Trent Powrie & Paul Williams. Trent Powrie (Harold & Saxon Chisels) is a new addition to the catalogue, producing a stunning range of Australian made chisels:



full details at: www.haroldandsaxon.com

VARIABLE SPACE UPGRADE \$15

Prices don't usually come down in this world but in the case of the Variable Spacers they have!! The spacers are now made more accurately from a different material and the cost advantage to us we are passing on to our customers! With these you have the option to adjust the layout of the joint to fit the width of the stock. This also has the advantage of producing a joint that looks more like it was handcut. You can achieve symmetrical layout of the joint for any width stock and still have a half pin top and bottom.

Instructions for its use are included in the Jig instructions, and the Demo DVD shows full details on its use. For only \$15, you can't go wrong!!

CLAMPS & CLAMP HOLDERS

Items that we introduced to our product list last year and which have proved particularly popular are the BESSEY CLAMPS @ \$42 (Bessey KLI 12 Kliklamp), and the PAIR OF CLAMP HOLDERS @\$6 that Roger has designed to be used with these clamps.

The clamps are very good quality, made in Germany, a quick action clamp with a very positive action and a light weight magnesium alloy head.

The Clamp Holder has been designed to fit under the knob on the jig. This holder locates the clamp in the correct position and also holds it at the right height, safely above the cutter.

Another new product from last year which has been hugely popular is the F5 Finger Joint Template Upgrade. It offers our customers a change from dovetailing for their boxmaking and produces a particularly pleasing joint in both contrasting or the same timbers. Most of Roger's boxmaking plans can be produced with either dovetails or the finger joints, depending on your preference.

As most of our customers are into boxmaking, we like to include information to help you on your way, so....here goes!

ORGANOIL DANISH OIL

If you are after good quality finishes for your wood, we have found the Organoil Danish Oil to be excellent. Of course people often have their own favourites, but there are a few things Roger really likes about this finish. It doesn't have any drying agents, so it is much easier to apply than other Danish oils, as it won't set if you don't wipe it off fully. This also



means that it doesn't go off in the tin. It is based on orange oil so it smells nice, and you can wash the brush out with hot water and soap. Having found this, Roger doesn't use anything else! Ernie and his team from Organoil do all the timber shows that we attend and also sell through major outlets such as Bunnings etc or check out their website : www.organoil.com for their full range of products.

THIN TIMBERS is another item we are often asked about and we have a few favourites:

Loggerheads (Graham Naughton), 10 Seawitch Cres, Cooloolo Cove Qld. ph 07 5486 2201 www.loggerheads.com.au Good photos of the timber on the web site. He has a wide range of desert timbers from western Queensland, thickened to around 8 to 12 mm. Nice finish on the boards from a sanding thicknesser. Some beautiful timber and very well prepared and thickened. I often use his timber at the seminars and when I am teaching. Graham also cuts boxmaking packs to suit the cutting lists in my Boxmaking Plans.

Misan Craftwood (Mike Berwick), 4 Teakwood Close Lake Clifton WA 6215 ph 08 9739 1985 misan@iinet.net.au www.misancraftwood.com Tasmanian and WA timbers thickened to your requirements, beautifully prepared and some stunning timber.

Djarilmari Timber Products (Colin Payne) P.O. Box 550 Denmark W.A. 6333 ph 08 9848 2020. djarilmari@wn.com.au www.wn.com.au/djarilmari/homepage.html He will cut timber to whatever thickness you want. Has some beautiful Lace Sheoak and Fiddleback Jarrah.

For **HARDWARE** we are happy to recommend Michael Mogy from **HARDWARE FOR CREATIVE FINISHES:**

Ph: 02 4992 3068 Fax: 02 4992 3803
Email: info@veneerinlayaustralia.com.au
Web: www.boxmakersbrassware.com.au

He is the only person I know who sells the 8mm concealed hinges for the Special Jewellery Box and similar projects.

Also **GERNER HINGES** for high quality butt, knife and quadrant hinges www.gernerhinges.com

CHAINS AND FITTINGS

The supplier I had on the web site for chain and fittings is no longer in business, so an alternative supplier is: EMPIRE BEADS www.empirebeads.com.au
They have a vast range of chain and fittings. I haven't used them yet, but ones that look good are:
Budget curb chain 60604-1002-MT
Jump Rings 60704-1086-OS
Tag ends 60706-1150-OM or maybe the smaller ones.

For **GLUE**, Roger has previously used and recommended AV 140 (a slow setting PVA) which he finds very good, but it is now only available in 5 litre or bigger quantities. Whilst this may work for clubs where you can share the glue around, it is not much use for individuals. I will post info on the web site when I find an alternative.

Another question we often get is where to go for woodworking classes. Our 2008 "Australian Quality Tools" catalogue has a list of 9 different woodwork schools, with highly skilled teachers – you can pick up one of these catalogues at any of the timber shows, or ask to have one included in your next order from us.

Other groups offering boxmaking classes:

WOODCRAFT MANNINGHAM (Melbourne):
Ph 03 9723 5030 (Ken Morrison)
Web: www.woodcraft-manningham.org.au

WOODWORKERS OF THE HUNTER (Newcastle)
Boxmaking every Friday (Greg Lawrence)
Phone the club 02 4962 5777

PIN VICE

I have had a few enquires recently from customers after a pin vice, like the one I use at the Timber Show Seminars when drilling holes for the corner stays in the Special Jewellery Box project. McJing Tools sell one called a "6 piece rotary tool, collet set and handle" which is ideal when drilling holes in tight corners. It comes with collets from 0.8mm to 3.2mm and is priced around \$20.

McJing Tools: ph 02 9709 8805

www.mcjing.com.au

orders@mcjing.com.au



ADDITIONS TO THE INSTRUCTIONS

1 - EDGE ALIGNMENT

I have recently found a method for improving the edge alignment of the joints when dovetailing. As noted on page 18 of the instructions, there are a number of small errors that creep into your work that can impact on the edge alignment. To overcome this use 2 stops, one against each side of the workpiece. If they are tight up against either side it locates the timber more accurately, and it also

ensures the timber is standing accurately vertical. When you turn the work end for end it will fit back between the stops with no chance of error, likewise when you change from one side of the jig to the other. As long as you prepare your work accurately to width, with all 4 sides of the box exactly the same, then the edge alignment should be perfect! I use this method all the time now in the workshop and when demonstrating.



For customers with the old model jig with only one stop, we have the blue anodised aluminium stops available for \$29. We no longer have stock of the earlier dovetailed timber ones.

2 - VARIABLE SPACE UPGRADE

The original VSU was a set of 5 phenolic shims in thicknesses 2,3,4,5 & 8 mm. With the introduction of the clamp holders for the Bessey clamps, these phenolic shims won't work as they foul the clamp. The new injection moulded VSU is a set of 8 shims, 4 @ 2mm and 4 @ 3mm. They overcome this problem, and as well are much more accurate in thickness. If you have the old set plus the clamps and holders, please ring for advice.

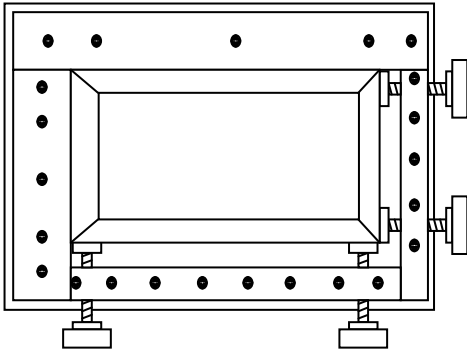
3 – CLAMP HOLDERS

Another issue with the clamp holders that a customer pointed out recently is that when used with the old model jig they only hold the clamp about 20mm above the template, as the old jig body is 5mm lower than the new model. This means that the cutter may hit the clamp if using timber thicker than about 20mm. There is no easy solution to this, although you can place the white nylon washer between the stop and the clamp holder to raise it up 2mm, which helps.

CLAMP FOR MITRED FRAMES

There are numerous frame clamps on the market and no doubt some do the job better than others. For boxmaking work we want the frame to glue up as square as possible as well as having all 4 corners pulled up tight. I have found the following design works better than any of the commercial clamps that I have tried. This clamp should be made to take the largest frame you might want to make, and then it can be blocked off to handle anything smaller.

Full plans for this frame clamp are on the web site (free download), and they are also included in the Special Jewellery Box plans. See drawing on the next page.



As the threaded knobs and associated tee nuts can be hard to find, we now stock these items. M8 x 40mm threaded knobs \$4.50 each and Tee nuts 30 cents.

OLD BLOCKS - \$69

We still have a few of the old style blocks for those customers wishing to have a designated block for each of their (older style) templates. These blocks have been discounted to \$69 plus \$11 postage, but only while stocks last. This price is the block only, set up with backing boards, shim and locating pins, but without any stops. Hurry, only 30 left!

TEMPLATE SPECIFICATIONS

For customers considering a template upgrade for their jig, the following table gives all the specifications:

Joint Type	Through Dovetails						Finger Joints	
	"H"		"A"		"B"		"F"	
Series	H10	H20	A10	A20	B10	B20	F5	F15
Template								
Dovetail Cutter	TGHD 12		TGAD 12		TGBD 16 ½			
Straight Cutter	TGHS 12		TGAS 12		TGBS 16 ½		TGF5	TGF15
Pin Size	6	6	10	11	17	17	5	15
Pin Spacing	18	26	20	28	38	48	10	30
Min Thickness	2	2	5	5	14	14	5	14
Max Thickness	10	10	13	13	22	22	13	22
Max Width	290	300	310	305	310	310	310	310

DOVETAIL JIG PACKAGES

With the addition of the second Finger Joint template, it was necessary to change our packaging details. "The Lot" package now has all 8 templates (up from 7 previously), and we now have a "Premium" package with 4 templates, one from each series. The smaller packages remain the same but you now have a greater choice of template profiles.

SAFETY

I have had very positive feedback from customers about the drop saw table and fence idea. People really like the safety aspect, as you can accurately cut small pieces of wood with your fingers well clear of the blade, and unlike table saws no push sticks are required. Full details for this table are a free download on the web site, and they are also included in Plans #3.

PRICES 2008

If ordering a template upgrade, please specify new or old model, as the mounting holes are different.

Standard Package	\$ 299
Deluxe Package	\$ 449
Masters Package	\$ 599
Premium Package	\$ 749
"The Lot" package	\$1149
Dovetail Template Upgrade	\$ 183
Finger Joint Template Upgrade	\$ 183
Extra Stop	\$ 29
Backing Boards	\$ 10
Dovetail Cutter (A, B or H template)	\$ 49
Straight Cutter (A, B or H template)	\$ 39
Straight Cutter – F5 template	\$ 54
Straight Cutter – F15 template	\$ 62
Variable Space Upgrade	\$ 15
Plans #1 Introduction to small joinery	\$ 25
Plans #2 Dovetailed Boxes	\$ 29
Plans #3 Special Jewellery Box	\$ 29
DVD Dovetailing Demonstration	\$ 22
DVD F5 Finger Joint Demonstration	\$ 22
DVD #1 Follows plans #1	\$ 35
DVD#2 Loose Lid from plans #2	\$ 35
DVD #3 Follows plans #3	\$ 39
Set #1 Boxmaking Cutters	\$ 155
Set #2 Boxmaking Cutters	\$ 144
Reducing Collet	\$ 14
Precision Square	\$ 20
Clamp Holders (pair)	\$ 6
Bessey KLI 12 clamp	\$ 42
Postage Standard Jig	\$ 18
Postage Template upgrade	\$ 14
Postage 4 box cutters	\$ 12

We accept MasterCard, Visa & Amex on Phone, Fax, Mail or Email orders. Our web site has a secure order form with encrypting technology to protect your credit card details. We also accept personal cheques, money orders and Bank Cheques with mail orders, or orders can be sent C.O.D. with Australia Post. Orders are sent registered and insured with Australia Post and orders received before 3PM are usually dispatched that day. We also sell direct from the workshop, but please ring to make sure we are open.

For more information, friendly advice or orders, contact Roger or Jenny Gifkins
 Gifkins Dovetail, 619 Belmore River Rd, via KEMPSEY NSW 2440, AUSTRALIA
 ph 02 6567 4313 sales@gifkins.com.au
 fax 02 6567 4681 www.gifkins.com.au