

Gifkins Dovetail Newsletter 2004

Welcome to our 2004 newsletter. With my time spent developing new products, as well as preparing for extra shows for the year, this newsletter has been delayed. Hopefully the wait has made the newsletter more interesting, with the inclusion of recent tips and ideas, as well as the new products.

Keep up the dovetailing,

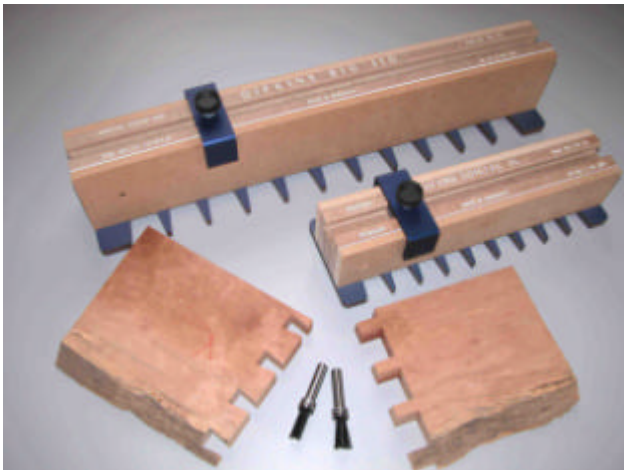
Roger Gifkins

The BIG news for this year is the "Gifkins Big Jig"

a speciality product from Gifkins Dovetail that is made to order rather than part of our standard product range. Two template profiles are available, the "Big B" for 14 to 22 mm thickness range and the "Big C" template for 24 to 32 mm thick. Both templates will handle stock up to about 550 mm wide. Specifications and prices are on our web site at:

<http://www.gifkins.com.au/BigJig.html>
or ring for details.

Photo: Big Jig, Standard Jig & joint in 32 mm stock.



"Dovetailed Boxes" Plans

The other big project on my time has been writing a new set of boxmaking plans. "Dovetailed Boxes" builds on the experience gained from the earlier "Boxmaking Plans - Introduction to Small Joinery", and applies this knowledge to a range of boxes, from the delicate and intricate "Daydream" box through to jewellery boxes and a blanket chest. Whilst the projects all have cutting lists with dimensions, any of the boxes can be scaled up or down to suit your requirements.

Once again, all the joinery is done with a table mounted router, and all the projects are suitable for Triton router tables.

The new plans cover 6 projects in detail with further variations and suggestions for the reader to explore. With a Gifkins Dovetail Jig, the set of 4 boxmaking cutters (see below) and the "Dovetailed Boxes" plans, you have everything you need to produce all these beautiful boxes (the blanket chest does require two extra cutters). See our web site for more detailed photos.

The Appendix section covers timber selection and preparation, new fence ideas for the router table, fitting hinges and more.



RRP \$34 plus \$3 post

NOTE:

For woodworkers new to small joinery, you will need the introductory plans as well, as "Dovetailed Boxes" refers back to these introductory plans for techniques and set-ups.

Boxmaking Cutters



1. Tenon cutter
2. Rebate cutter
3. Panel Raising Cutter
4. Slot cutter

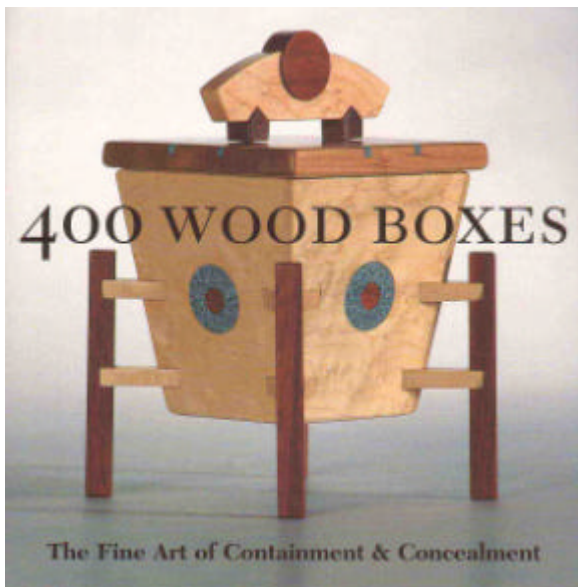
**Set of 4 Boxmaking
Cutters \$155**

The first 3 cutters have been specially made by Carb-I-Tool to suit my boxmaking requirements, and are only available from Gifkins Dovetail (all 1/2" shank).

400 Wood Boxes

The Fine Art of Containment and Concealment

Keep your eye out for this new book from Lark Books (USA). Over 170 makers show off their best work in this great coffee table book. Mostly American makers, but with a few makers from Canada, England, Australia and Sweden. As is often the case, some of the American designs are over the top, but there are lots of ideas. Inspirational! Available from Australian wood Review Bookshelf ph 07 3806 2288 RRP \$39.95 www.woodreview.com



Shows and Demonstrations for 2004

There will be continuous demonstrations of the Gifkins Dovetail jig at the following Timber Shows in 2004. If your show is already over for the year, thank you for your support.

- 12-14 March Auckland
- 14 - 16 May Brisbane
- 4 - 6 June Sydney
- 23 - 25 July Adelaide
- 13 - 15 August Perth
- 3 - 5 September Canberra
- 25 -27 September Triton Convention
Canberra (not confirmed yet)
- 15 - 17 October Melbourne
- 29 - 31 October Hobart

At the Timber & working with wood shows (except Perth), there will also be 2 boxmaking seminars each day. These seminars will feature Roger Gifkins making a Loose Lidded box (see photo below), from start to finish, using a Gifkins Dovetail Jig and a table mounted router. Each seminar will go for approximately 45 minutes.



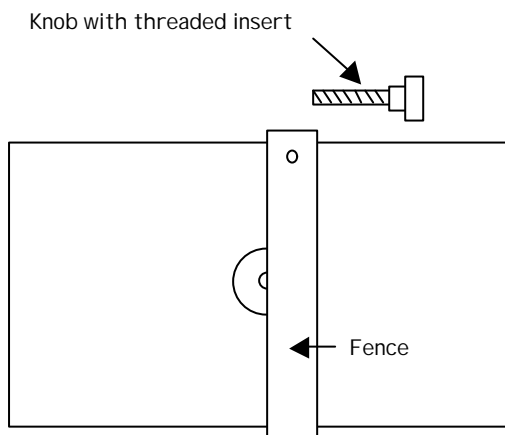
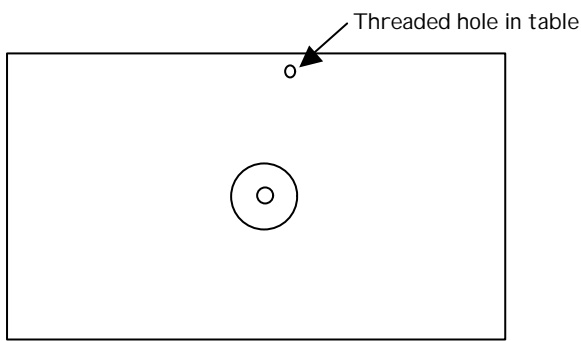
Fences for the Router Table

Over the years I have made all sorts of fences for the router table, some with dust extraction built in, and these ideas have slowly evolved to give some very simple and effective fences. I will describe one of them here in detail, and it is possible to apply these ideas for all sorts of other situations. The important principle is that I make a new fence for each cutter I want to use, so that the fence matches the cutter exactly. This way the fence gives maximum support to the workpiece as it goes past the cutter. With boxmaking we are often handling small workpieces, and it is vital that there is no possibility of the workpiece catching on a gap in the fence as it goes past the cutter. If we make the fence to suit the cutter, then any gaps can be kept to an absolute minimum.

For fence material I use old (recycled) hardwood which is dry and stable, or High Density fibreboard (HD3 made by Laminex Industries is good). Ideally we want a material that will remain flat and straight, and will not wear, so they can be used time and again. These fences are ideally suited to router tables built along the lines of the Gifkins Table, as detailed in the instructions for the Gifkins Dovetail Jig. They may not suit some Triton tables, as the rail structure under the Triton table top makes it difficult to clamp them in place.

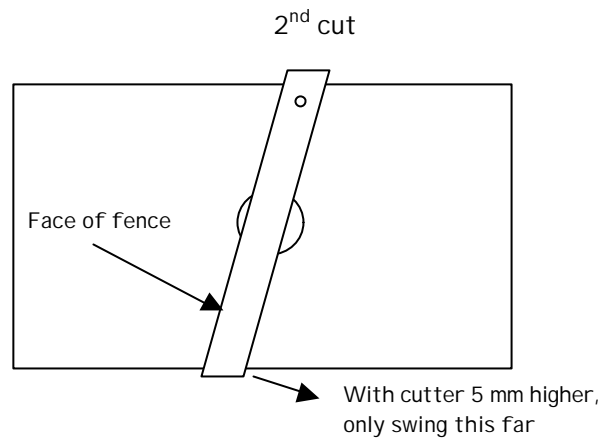
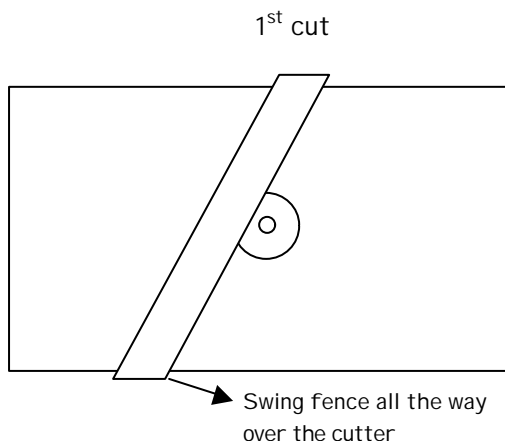
I start by drilling a hole in the table top, as shown below, and either tapping a thread into the table material or fitting a captured nut on the underside of the table. This threaded hole is important as it means we can pivot the fence around this point, and also the fence will

always go back on the table in exactly the same position. I then drill a matching hole in the fence, and use a knob with threaded insert to hold the fence down to the table at this end.



Fence for panel raising cutter

Fit the Panel Raising cutter to the router and set the cutter about 1 mm higher than you need for your current project. Turn the router on and swing the fence over the cutter, to produce a dish shaped rebate right across the underside of the fence. Now raise the cutter about 5 mm and again swing the fence over the cutter, but this time not going all the way across. We want to stop 5 mm or 10 mm short of the face of the fence:



This way, there will be a deeper rebate on the back of the fence to aid dust extraction. In use, the fence is held with the knob at one end and a clamp at the other, and a dust extraction hood can be placed on the table behind the fence. The cutter should throw the dust well clear of the fence, so the hood can sit back from the fence. The above fence info. is an extract from the "Dovetailed Boxes" plans.

Web Site

Recent additions to our web site include:

- Instructions for Jig - revised March 2004
- Flyer - revised June 2004
- Big Jig flyer
- 7 jigs compared - from Wood Review Magazine
- "Dovetailed Boxes" flyer and photos

Extra Blocks

There has been a big increase in customers purchasing extra blocks for their extra templates, so they can have all their templates set up ready for use rather than swapping them over. With this in mind, we have reviewed our pricing on the components to make this option more attractive, and the Blocks (without stop) are now \$99, down from \$114. The blocks come complete with shim and backing boards. This idea is a great time saver for people that use their jigs regularly.

Hinges

For those people waiting for the next wooden hinge plans, I still haven't had time to work on them. Hopefully after the shows are over for the year I will have a chance to get them finished.

Hardware for creative finishes (ph 02 9764 5755) are now selling an 8 mm diameter concealed hinge which should be great for small boxes - \$7.70 / pair.

Thin Timber Supplies

- ANAGOTE TIMBERS, 144 Renwick St Marickville Sydney 2204 ph 02 9558 8444. Wide range of cabinet timbers. Will resaw and thickness timbers that they sell, down to about 6 mm.
- TREND TIMBERS, Lot 1 Cunneen St Mulgrave NSW Ph 02 4577 5277 www.trendtimbers.com.au Range of desert timbers at 10 mm thickness, Limited resawing service with N.G. Rosewood, Blackwood and Mahogany thickened to around 12 mm thick.
- LOGGERHEADS, Graham Naughton PO box 1087 Gympie Qld 4570 ph 07 5483 3797. Desert timbers custom cut to any thickness (down to 2 mm). Box sets 6mm to 10mm thick. All timber kiln dried.
- J&C THIN TIMBERS, 17 Van Doren Rd Gympie Qld 4570 Ph 07 5482 8561 Thin timbers in a wide range of species, thickened to your requirements from 2 mm to 19 mm.
- WEST COAST CRAFT SUPPLIES, 69 Braibrise Rd Wilson WA 6107 Ph 08 9451 1686. Lace Sheoak and fiddleback Jarrah in 10 mm boards. Box sets cut to size. Laminated timber in 10 mm to suit the Gifkins Dovetail Jig.

PRICES (inc G.S.T) January 2004

Standard Dovetail Package	Jig with any 1 template + 1 straight cutter + 1 dovetail cutter	\$299
Deluxe Dovetail Package	Jig with any 2 templates (from 2 different series) + 2 straight cutters + 2 dovetail cutters	\$449
Masters Dovetail Package	Jig with any 3 templates (from 3 different series) + 3 straight cutters + 3 dovetail cutters	\$599
"The Lot" Dovetail package	Jig with all the templates + all the cutters + Variable Space Upgrade + Extra Sliding Stop (6 templates + 3 straight cutters + 3 dovetail cutters)	\$849
Template Upgrades	Any one template + backing boards + pair of cutters	\$173
Variable Space Upgrade	Set of Phenolic Resin spacers + instructions (post \$5)	\$ 29
Extra Templates	"A" series (A10 or A20) "B" series (B10 or B20) "H" series (H10 or H20)	\$ 79
Extra backing boards	pair	\$ 8
Extra Cutters	"A" series, "B" series or "H" series Straight cutter	each \$ 38
	"A" series, "B" series or "H" series Dovetail cutter	each \$ 48
Extra Aluminium Sliding Stop	Suits all jigs since May 1999	\$ 29
Extra Blocks	Complete with shim and backing boards (without sliding stop)	\$99
Demonstration Video	Demonstration Video for Gifkins Dovetail Jig - 15 min	\$16
Introductory Boxmaking Plans	"Boxmaking Plans - Introduction to Small Joinery" by Roger Gifkins	\$ 25
Introductory Boxmaking Video	"Making a Gifkins Dovetailed Box" Video - follows the introductory plans (includes demo video) - 70 min.	\$ 49
Introductory Plans + Video	As above	\$69
"Dovetailed Boxes" Plans	Six boxmaking projects from Jewellery Boxes to a Blanket Chest	\$34
Boxmaking Cutters	Rebate cutter ½" shank - for use with boxmaking plans	\$ 43
	Panel Raising Cutter ½" shank - for use with boxmaking plans	\$ 42
	Tenon Cutter ½" shank - for use with boxmaking plans	\$42
	50 mm Slot Cutter ½" shank - for use with boxmaking plans	\$42
Set of Boxmaking Cutters	All 4 boxmaking cutters - as above	\$155
Hinge Cutters	3.2 mm Solid Carbide Spiral cutter ¼" shank	\$ 39
	2 mm Spur point Drill Bit	\$ 9
Precision Square	125 mm x 80 mm (outside measurements)	\$ 20
Post and Packing	Standard or Deluxe Dovetail Packages - Australia wide	\$ 18
Post and Packing	Masters or "The Lot" Dovetail Packages - Australia wide	\$ 28
Post and Packing	Template & cutters / Extra Block / Set of Box Cutters - Australia wide	\$ 11

GIFKINS DOVETAIL Ph 02 6567 4313 Fax 02 6567 4681

Roger and Jenny Gifkins, 619 Belmore River Rd, Via Kempsey NSW 2440, AUSTRALIA

email: gifkins@midcoast.com.au

www.gifkins.com.au